

# Instructions for the Preparation of Camera-ready Papers for IM 2001

*[title. 18 point bold lettering, use essential capitals only. Start text from the left-hand margin, Space: 30 pt below]*

*A. Author, B. Author  
Same Company Inc.  
First Street 100  
Boston, MA  
USA*

*C. Author  
Different Organization  
P.O. Box 2001  
Santa Barbara, CA  
USA*

*{aauthor, bauthor}@same.com*

*cauthor@different.edu*

*[author. 10 point italics. Use author initials with full stops, not first names]*

## Abstract

*[abstract header. 10 point bold centered, Space: 12 pt above, 2 pt below]*

These instructions explain how to prepare your IM 2000 symposium proceedings paper so that it is clear and consistent with the other papers in the book. They include guidance on layout, illustrations, text style, and references. They are presented exactly as your paper will appear in the proceedings, so you can copy them.

*[text. Main body of text in 10 point]*

## Keywords

*[keywords header. 10 point bold centered, Space: 12 pt above, 2 pt below]*

Camera-ready copy, text, figure, table, references

*[text. Main body of text in 10 point]*

## 1. Introduction

*[a-header. 12 point bold upper and lower case, Space: 12 pt above, 6 points below]*

The typography, layout and style used here in these instructions are exactly the same as you should use when preparing your camera-ready copy (CRC). This guide is also available electronically from the IM 2000 website (<http://www.comsoc.org/conf/im/2001>).

## 2. Setting Up

*[c-header. 10 pt bold upper and lower case]*

### Page Limitation

The maximum number of pages allowed for **technical papers** is limited to **14**. The **poster papers** are limited to only **two** pages.

### Type size and face

Type your paper in Times or Times Roman, using the style sheets. Where spacing is not built in to the styles, use paragraph returns as shown in this guide.

### Text area

*[file, page set-up, follow margins in table 1]*

The text should be produced within the dimensions below – a total width of 118 mm (4 3/4 in) and a maximum length of 186 mm (7 1/4 in). If necessary, you may exceed the length of the text area by one line in order to complete a section of text or paragraph. Follow measurement indicated below in Table 1 when setting up your page layout.

Table 1: Approximate Text Area Margins if using A4 or US letter paper

	<i>Left (mm)</i>	<i>Right (mm)</i>	<i>Top (mm)</i>	<i>Bottom (mm)</i>	<i>Text area (mm)</i>
<i>A4 margins</i>	46 (1 3/4")	46 (1 3/4")	56 (2.2")	56 (2.2")	118 x186 (4 3/4 x 7 1/4)
<i>US margins</i>	46 (1.85")	51 (1.85")	56 (1.85")	37 (1.85")	118 x186 (4 3/4 x 7 1/4)

## 3. Text

### 3.1 Text style

*[b-header. 11 pt bold upper and lower case, Space: 6 pt above/below]*

Below is an example of a bullet list. The final item in the list always ends with a full stop. Add one blank line below.

- Use minimal capitals, usually only for the first letter of headings, captions, chapter title names, proper nouns, acronyms and abbreviations.
- **Bold** should be used for emphasis, but as sparingly as possible.
- Ensure spelling style (US/UK) is consistent within the paper.
- Use single quotes; do not use ampersands (&) except if quoting the name of an official organization or company.
- Use minimal hyphenation; do not hyphenate coordinate or 'non' words, such as nonlinear.
- Use en-rules – (for linking number ranges or complexes).
- Close up four-figure numbers but set five-figure numbers with a thin space, e.g. 4500 and 45 000.
- Do not start headings at the foot of a page or with only one line of text below; put the heading on the next page.

**Mathematical text**

Use italics for variables (*i*); bold for vectors (no arrows) (**i**); bold capitals for matrices (**I**); bold italic for variable vectors (***i***) and capital bold italic (***I***) for variable matrices.  $\sqrt{(\quad)}$  is preferable to  $\sqrt{\nabla}$ , especially in multilinear fractions. Use *i*th, *j*th, *n*th, not *i*<sup>th</sup>, *j*<sup>th</sup>, *n*<sup>th</sup>. The order of brackets should be  $\{[(\ )]\}$ , except where brackets have a special significance.

**Equations**

Present equations with one blank line above and below and ranged to the left. Number equations in parentheses on the right margin as below:

$$27x^2 + 3.2y^2 = 654. \tag{1}$$

Punctuate equations as if they were part of the text.

**Punctuation**

Leave one character space after all punctuation. Do not indent paragraphs which follow headings. Indent all other paragraphs by three character spaces. In general, keep punctuation to a minimum.

**Lists**

There should be no extra line spaces between items. Label items in the list with arabic numerals with a full point if order of items is important, e.g. 1. 2. 3. and so on. If order of items is unimportant, label items with solid bullets [ • ]. If the items in the list are complete or near complete sentences they should each begin with capital letters and end with a period; if they are short phrases they should start with lower case letters and end with semi-colons; single items need no punctuation or capitals. See the list example on Page 2.

**Footnotes** \* *Try to avoid using footnotes!*

*[footnote. 8 pt roman text, last line within the text area of 186mm (7<sup>1</sup>/<sub>4</sub>" ) x 118mm (4<sup>3</sup>/<sub>4</sub>" ). Use a superscript ‘\*’ to indicate]*

**Running headlines**

We will add running headlines to the top of your CRC pages. For papers with titles longer than 56 characters (including spaces) please provide a suitable abbreviated title.

**4. Tables**

Tables should be placed in the text as close as possible to their citations. They generally look best at the top or bottom of the page. Center each table within the text margins. Number tables Table 1, 2, 3 and so on. Use rules to separate column headings from the main body of the table. Do not use vertical rules or boxes. Align columns under their appropriate column heading and range columns to the left. Center table heading over table. Refer to Table 1 on page 2 for formatting

*[tablecap. Set in 10 pt text. Table caption does not have a full stop.*

*Leave a blank line above the table]*

*[tablecol. Set column headings in 10 pt italic text and include units]*

*[tabletext. Set table text in 10 pt]*

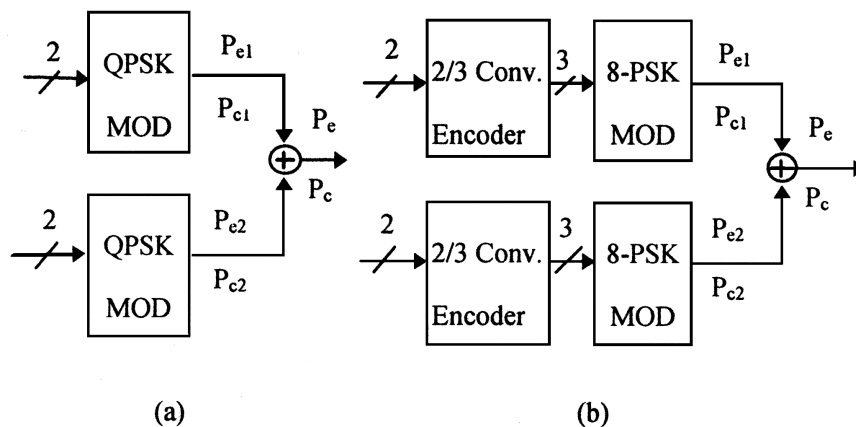
## 5. Figures

### 5.1 Numbering, captions and positioning

Number figures consecutively, e.g., Figure 1, 2, 3. Use (a), (b), (c) to distinguish individual subjects in a composite figure. Do not number line illustrations and photographs separately. Please use only black and white figures!

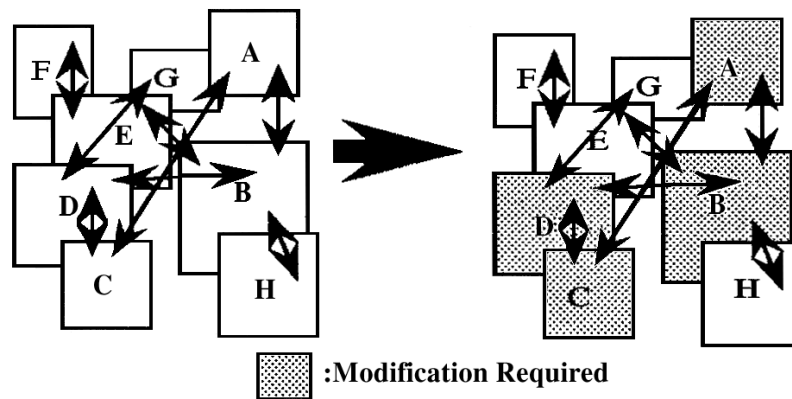
Each figure must have a caption. Place captions at the foot of figures, ranged to the left. The caption should be set in 10 point Times Roman upper and lower case and end with a full stop. Always refer to figures as 'Figure', not Fig. See Figure 1.

Place figures on the text page, close to the relevant text citation, ideally towards the top of the page. Center them vertically in the middle of the page; alternatively, small illustrations can be placed side-by-side.



**Figure 1:** An example of a good, clear figure

*[figure caption. Set in 10 point bold/regular text. Space: 6 pt below]*



**Figure 2:** An example of a bad figure

## 5.2 Line illustrations and photographs

Reduce line illustrations and photographs to the correct size and place them in position on the page. All illustrations and photographs should be imbedded into the file with a resolution of 300 dot/inch or better. It is preferable to save the image as a TIFF file. Be sure to leave sufficient blank space in the text, and allow two lines of blank space above the figure and one below the caption. Please avoid faint lines, tiny lettering, complicated shading and tints.

Do not supply colored line figures. Keep labels simple, preferably in a sans serif typeface such as Helvetica or Univers. Labels should be 10 point size if possible. Do not put boxes around figures.

## 6. Instruction for Poster Papers

The poster papers are limited to maximum of **two** pages. The poster papers should follow the same formatting and layout instructions for font and layout described for full length paper. You must include an abstract. If necessary, the references and figures can be present.

## 7. Printout

Use a high-quality laser printer with single sheets of high-quality white ISO A4 (297 x 210 mm) or US letter (8<sup>1</sup>/<sub>2</sub> x 11 in) (279.4 x 215.8 mm) paper. Submit the original printout – a photocopy is not acceptable. Dot matrix printers do not produce satisfactory CRC and should not be used. If you need to make corrections, print a full replacement page to ensure that the ink density is consistent with the existing text. Ensure that the inking of your paper is of an even density throughout.

### **Electronic file**

Electronic file of your CRC paper should be submitted. The file should be in PDF or PostScript format (PDF is strongly preferred). The detailed instructions for submission of electronic files will be available from the IM 2000 website (<http://www.comsoc.org/confs/im/2001>).

### **Copyright Form**

All authors must also submit a signed IEEE copyright form along with the camera ready copy of the paper. The copyright form can be downloaded from the IM 2000 website (<http://www.comsoc.org/confs/im/2001>).

### **ACKNOWLEDGMENT**

The preferred spelling of the word “acknowledgment” in America is without an “e” after the “g.” Try to avoid the stilted expression, “One of us (R. B. G.) thanks ...” Instead, try “R.B.G. thanks .

### **References**

*[10 pt Times Roman, indent hanging .25]*

Number citations consecutively in square brackets. Refer simply to the reference number, as in [2]. Do not use “Ref. [2]” or reference [2]” except at the beginning of a sentence: “Reference [2] was the first ...”.

Number footnotes separately in superscripts. Place the actual footnote at the bottom of the column in which it was cited. Do not put footnotes in the reference list. Use letters for table footnotes (see Table I).

Give all authors’ names; do not use “et al.” unless there are six authors or more. Papers that have not been published, even if they have been submitted for publication, should be cited as “unpublished” [3]. Papers that have been accepted for publication should be cited as “in press” [4]. Capitalize only the first word in a paper title, except for proper nouns and element symbols.

For papers published in translation journals, please give the English citation first, followed by the original language citation [5]. Here are some sample reference formats.

- [1] J. W. Author, "Name of paper," *Abbrev. Title of Periodical*, vol. x, no. y, pp. xxx-xxx, Abbrev. Month, Year.
- [2] J. W. Author, "Title of chapter in the book," in *Title of His Published Book*, xth ed. City of Publisher, Country if not USA, Abbrev. Of Publisher, year, ch. x, sec. Y, pp. xxx-xxx.
- [3] J. W. Author, "Title of report," Abbrev. Name of Co., City of Co., Abbrev. State, Rep. xxx, year.
- [4] Name of Manual/Handbook, x ed., Abbrev. Name of Co., City of Co., Abbrev. State, year, pp. xxx-xxx.
- [5] D. S. Author, "Title of paper," in *Unabbreviated Title of Conf.*, City of Conf., Abbrev. State, year, pp. xxx-xxx.

**Biography (optional)**

At the end of each paper, we plan to include a short description of each author's career and position. Please include no more than 100 words about yourself. Put the biography right at the end of your paper (after the reference section).